



**PUNQTUM**  
▶ BY RIEDEL

SYSTEM SETUP GUIDE

# Wi-Fi Infrastructure Recommendations

Q-Series Network Based Intercom System

© 2024 Riedel Communications GmbH & Co. KG. All rights reserved. Under the copyright laws, this manual may not be copied, in whole or in part, without the written consent of Riedel. Every effort has been made to ensure that the information in this manual is accurate. Riedel is not responsible for printing or clerical errors. All trademarks are the property of their respective owners.

|          |  |          |
|----------|--|----------|
| <b>1</b> | <b>PREFACE .....</b>   | <b>4</b> |
| 1.1      | INFORMATION .....  | 5        |
| <b>2</b> | <b>ABOUT PUNQTUM Q-SERIES DIGITAL PARTYLINE INTERCOM SYSTEM.....</b> | <b>6</b> |
| <b>3</b> | <b>WI-FI NETWORK FOR PUNQTUM WIRELESS APP INTEGRATION.....</b>       | <b>7</b> |
| 3.1      | WI-FI NETWORK REQUIREMENTS AND RECOMMENDATIONS .....                 | 7        |
| 3.2      | RECOMMENDED WI-FI INFRASTRUCTURE.....                                | 7        |

# 1 Preface

Welcome to the punQtum digital intercom family!

This document provides detailed information about the punQtum Q-Series digital partyline system.

## NOTICE

This manual, as well as the software and any examples contained herein are provided “as is” and are subject to change without notice. The content of this manual is for informational purposes only and should not be construed as a commitment by Riedel Communications GmbH & Co. KG. or its suppliers. Riedel Communications GmbH & Co. KG. gives no warranty of any kind with regard to this manual or the software, including, but not limited to, the implied warranties of marketability or fitness for a particular purpose. Riedel Communications GmbH & Co. KG. shall not be liable for any errors, inaccuracies or for incidental or consequential damages in connection with the furnishing, performance or use of this manual, the software or the examples herein. Riedel Communications GmbH & Co. KG. reserves all patent, proprietary design, title and intellectual property rights contained herein, including, but not limited to, any images, text, photographs incorporated in the manual or software.

All title and intellectual property rights in and to the content that is accessed through use of the products is the property of the respective owner and is protected by applicable copyright or other intellectual property laws and treaties.


© 2024 Riedel Communications GmbH & Co. KG. All rights reserved. Under the copyright laws, this manual may not be copied, in whole or in part, without the written consent of Riedel.


All trademarks are the property of their respective owner.

## 1.1 Information

### Symbols


The following tables are used to indicate hazards and provide cautionary information in relation to the handling and use of the equipment.

|   |   |
|---|---|
|  | This text indicates a situation that needs your close attention. It may also be used to alert against unsafe practices. |
|---|---|

|   |   |
|---|---|
|  | This text is for general information. It indicates the activity for ease of work or for better understanding. |
|---|---|

### Service



- All service must be provided ONLY by qualified service personnel.
- There are no user-serviceable parts inside the devices.
- Do not plug in, turn on or attempt to operate an obviously damaged device.
- Never attempt to modify the equipment components for any reason.

|   |   |
|---|---|
|  | All adjustments have been done at the factory before the shipment of the devices. No maintenance is required and no user-serviceable parts are inside the unit. |
|---|---|

### Environment

- Never expose the device to high concentrations of dust or humidity.
- Never expose the device to any liquids.
- If the device has been exposed to a cold environment and transferred to a warm environment, condensation may form inside the housing. Wait at least 2 hours before applying any power to the device.

### Disposal

|  |   |
|--|---|
| <br> | This symbol, found on your product or on its packaging, indicates that this product should not be treated as household waste when you wish to dispose of it. Instead, it should be handed over to an authorized collection point for the recycling of electrical and electronic equipment. By ensuring this product is disposed of correctly, you will help prevent potential negative consequences to the environment and human health, which could otherwise be caused by inappropriate disposal of this product. The recycling of materials will help to conserve natural resources. For more detailed information about the recycling of this product please contact the local authority responsible. |
|--|---|

## 2 About punQtum Q-Series Digital Partyline Intercom System

punQtum Q-Series digital partyline intercom system is a digital, easy to use, full-duplex communications solution for theater and broadcast applications as well as for all kinds of cultural events like concerts, etc.

It is an all-new, network-based partyline intercom system which combines all standard partyline system features including wireless access and more with the advantages of modern IP networks. punQtum Q-Series works on standard network infrastructure and is easy to install and set up. The system works “out of the box” with a factory default configuration but can be quickly configured by user-friendly software to meet individual needs.

The system is completely decentralized. There is no master station or any other central point of intelligence in the whole system. All processing is handled locally in each device except for the punQtum wireless Apps which require a punQtum Q210 PW Speaker Station to serve as a bridge to the Q-Series digital partyline intercom system. The capacity of one partyline intercom system is set to a maximum of 32 channels, 4 program inputs, up to 4 public announce outputs and 32 control outputs. Each punQtum Q210 PW Speaker Station serves up to 4 punQtum Wireless App connections.

punQtum Q-Series digital partyline systems are based on Roles and I/O settings to ease the use and administration of partyline intercom systems.

A Role is a template for the channel configuration of a device. This allows channel settings and alternate functions to be predefined for different Roles needed to run a live show. As an example, think of the stage manager, sound, light, wardrobe and security personnel having different communication channels available to deliver a perfect job.

An I/O setting is a template for the settings of the equipment connected to a device. This, for example, allows I/O settings to be available for different Headsets being used at a venue to cover for different environmental situations.

Each device can be configured to any Role and I/O setting available.

Multiple punQtum partyline intercom systems can share the same network infrastructure. This allows for the creation of production islands within a campus using the same IT network infrastructure. The number of devices (Beltpacks/Speaker Stations and Wireless Apps) is theoretically infinite but limited by the network capacity. Beltpacks are powered by PoE, either from a PoE switch or from a Speaker Station. They can be daisy-chained to reduce wiring efforts on site.

Beltpacks and Wireless Apps support simultaneous use of 2 channels with separate TALK and CALL buttons as well as one rotary encoder for each channel. An alternate page button allows the user to quickly reach alternate functions such as public announce, Talk To All, Talk To Many, to control general purpose outputs and access system functions like Mic Kill asf. The Beltpack is designed with a combination of premium materials, including high-impact plastics and rubber to make it both tough and comfortable to use in any situation.

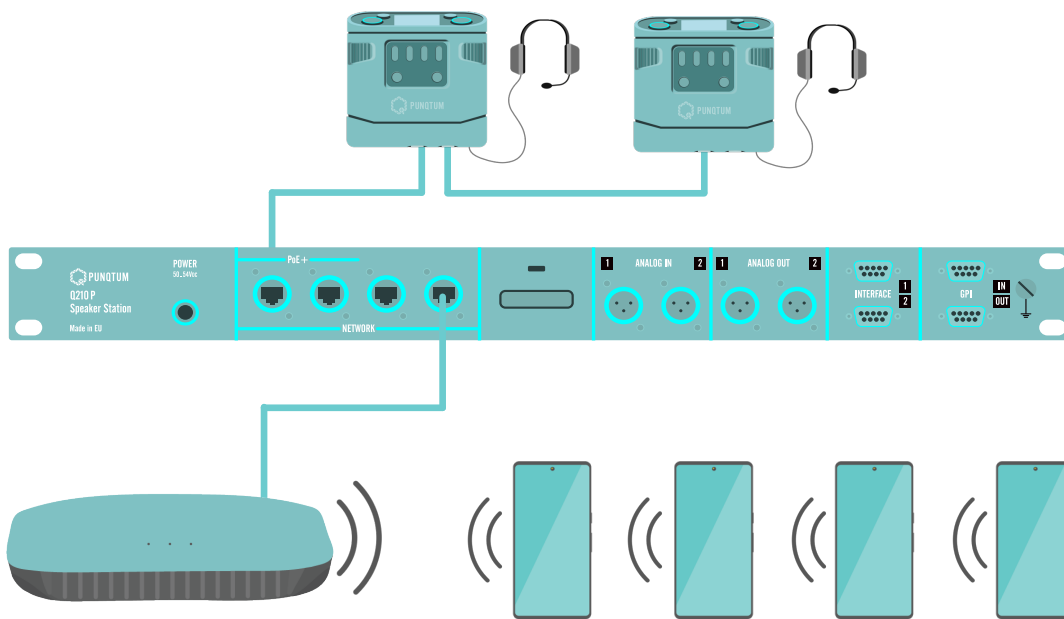
punQtum Q-Series Beltpacks, Wireless Apps and Speaker Stations allow users to replay missed or not understood messages. Program input signals can be fed into the system using an analog audio input at any Speaker Station.

Sunlight readable, dimmable RGB color displays used for Beltpacks and Speaker Stations make for excellent readability of the intuitive user interface.

### 3 Wi-Fi network for punQtum Wireless App integration

If your system includes Q210 PW Speakerstations providing connections to mobile devices running the punQtum Wireless App, you need to add dedicated Wi-Fi network infrastructure to your cable based LAN.

In order to be able to operate mobile devices, your network needs to provide DHCP functionality for all connected devices. Use a Wi-Fi router or DHCP capable switch to do so.



#### 3.1 Wi-Fi Network requirements and recommendations

- Wi-Fi 5 (802.11ac) or higher
- A single DHCP service for the wired and wireless network segments is required.
- Good password protection for the Wi-Fi network is recommended.
- Use the same network name (SSID) for 2.4 and 5 GHz bands for best results as modern phones always choose the best band and channel automatically.
- For mesh type Wi-Fi setups, using devices with 3 radio transmission bands is recommended.
- Providing internet access on the intercom network is not recommended.

#### 3.2 Recommended Wi-Fi infrastructure

Tested devices with positive results:

- Asus RT-AX53U and ZenWi-FiXT8
- Linksys AC1750 and MR7350
- MikroTik hAP ax and cAP ax
- NetGear RAX10, and WAX610
- Opal GL-SFT1200
- TP-Link TL-Archer C6 AC1200, Archer AX10, TL-WR841N
- Amazon Eero 6